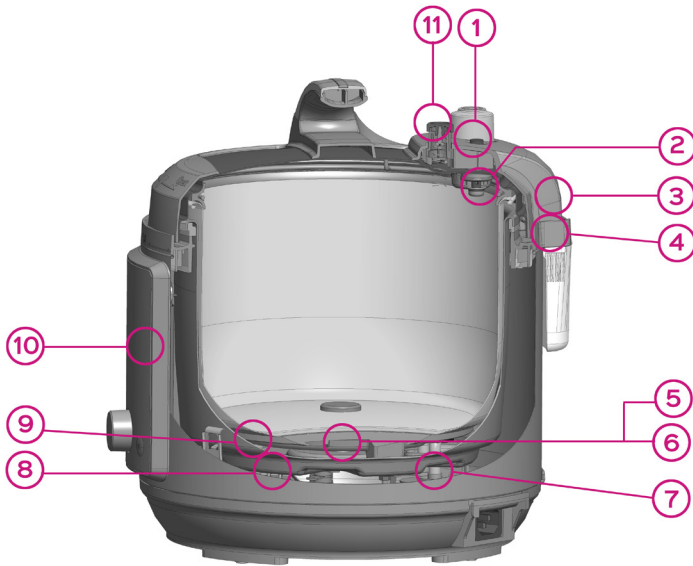


11 Safety Mechanisms

Instant Pot has been carefully designed to eliminate many common errors that may cause harm or spoil food.

The Ultra 10-in-1 Multi-Use Programmable Pressure Cooker has been designed with 11 safety mechanisms and patented technologies.



UL & ULC certification

Instant Pot has been designed with 11 safety mechanisms and patented technologies.

1. **Pressure Regulator** ensures the working pressure below the safety limit.
2. **Anti-Blockage Vent** prevents food debris from blocking the vent.
3. **Safety lid lock** prevents accidental opening of the cooker while it is pressurized.
4. Designed with a **sensor for lid position detection**, monitors whether the lid is in an unsafe position for pressure cooking.
5. **Automatic temperature control** regulates temperature based on the type of program being selected.
6. **Temperature monitoring** avoids burning food.
7. **Pressure controller** keeps pressure always in the safe range.
8. **Electrical current and temperature fuse** cuts off power if the current or internal temperature exceeds safety limits.
9. **Pressure protection** releases excess pressure into internal chamber in a dangerous situation.
10. **Smart detection of leaky lid** (e.g. steam release is in the open position).
11. **Quick Release Button** automatically resets the Ultra to the **Sealing** position when you open or close the lid if the button is in the venting position.